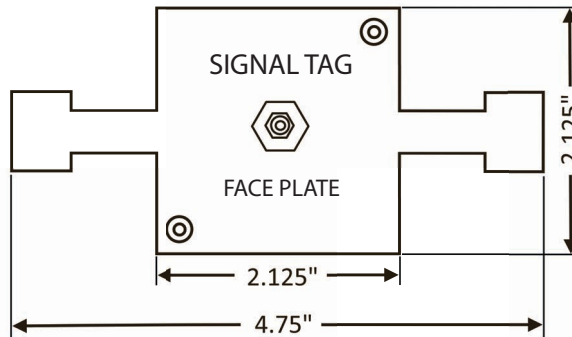
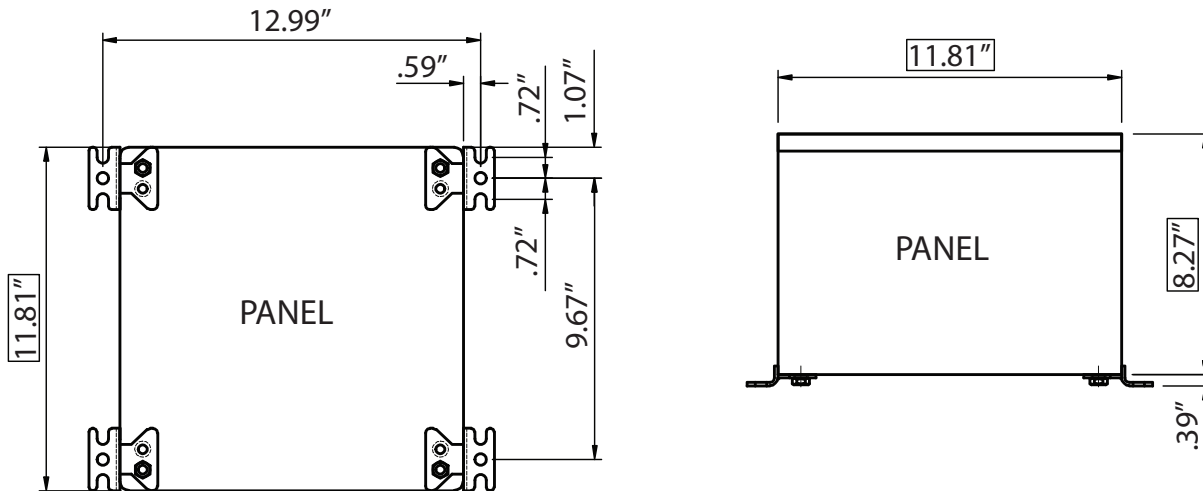




SPECIFICATION FOR:

FTC-1200
FTC-1400
FTC-1600

Model	Maximum Nominal Pipe Diameter	Power Cord	Signal Cable Length (X2)	Signal Cable Weight (X2)	Signal Cable Type	Enclosure Specifications
FTC-1200	12"					Stainless Steel NEMA 4x, NEMA 12, IP66 Weight: 16 lbs. Approval: UL, CSA, TUV
FTC-1400	14"	15'	33'	8 lbs.	Armored	
FTC-1600	16"				Shielded Marine Shipboard	



This document contains proprietary information. It may not be reproduced, copied, or made available to others without prior written consent from Flow-Tech HVAC.				Not to scale
Drawing #: FTC-20TO2400	Approved:	Revision by:	S.O. #	Rev: 1a
Date:	Checked:	Drawn:	P.O. #	Sheet 1 of 1