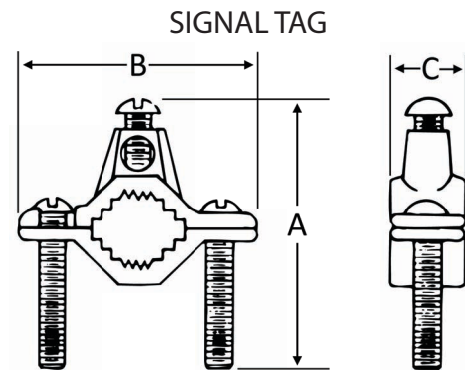
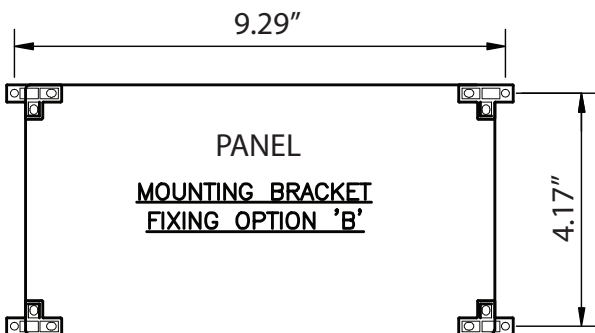
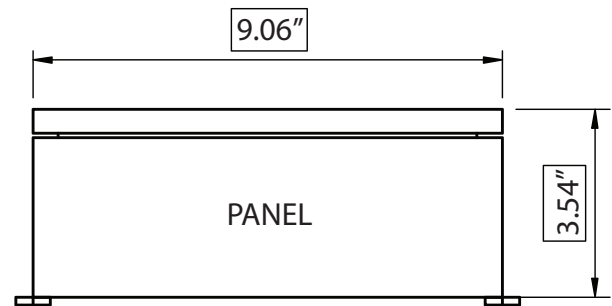
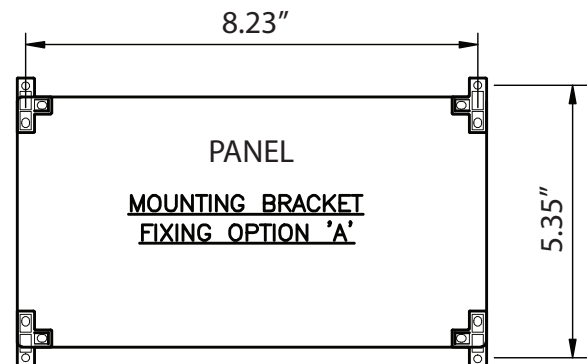




SPECIFICATION FOR: FTC-150

Model	Maximum Nominal Pipe Diameter	Power Cord	Signal Cable Length	Signal Cable Weight	Signal Cable Type	Enclosure Specifications
FTC-150	1.5"	8'	10'	1 lb.	No. 12 AWG	ABS NEMA 4x, IP66 Weight: 2.5 lbs. Approval: UL



Clamp Size	Dimensions			Weight
	A	B	C	
.5" to 1" Pipe	2.5"	2.25"	.67"	0.16 lbs.
1.25" to 2" Pipe	4"	3.63"	.75"	0.44 lbs.

This document contains proprietary information. It may not be reproduced, copied, or made available to others without prior written consent from Flow-Tech HVAC.				Not to scale
Drawing #: FTC-150	Approved:	Revision by:	S.O. #	Rev: 1a
Date:	Checked:	Drawn:	P.O. #	Sheet 1 of 1