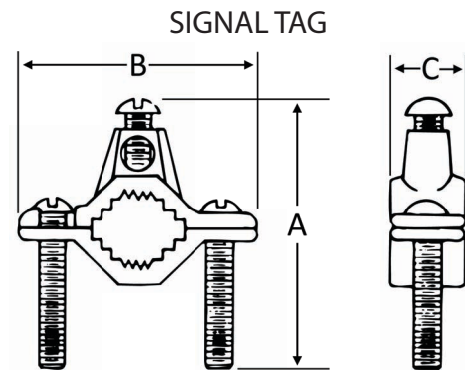
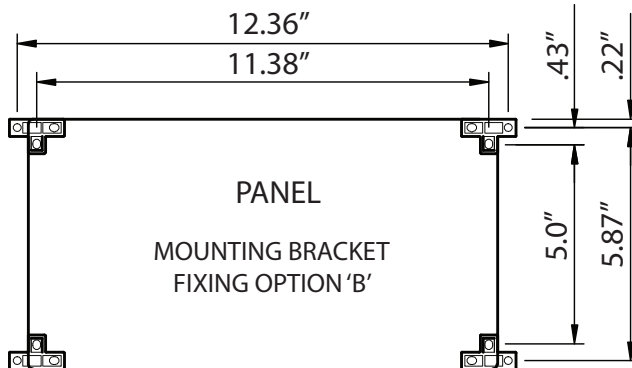
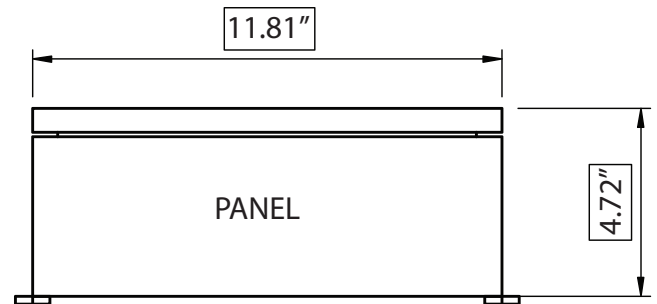
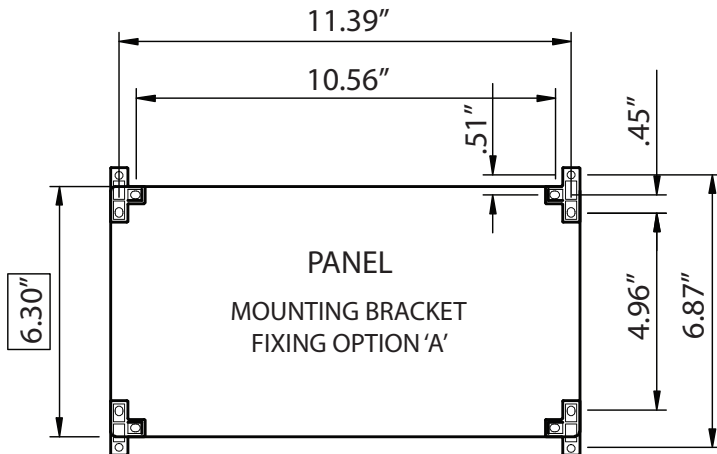




SPECIFICATION FOR: FTC-200

Model	Maximum Nominal Pipe Diameter	Power Cord	Signal Cable Length (X2)	Signal Cable Weight (X2)	Signal Cable Type	Enclosure Specifications
FTC-200	2"	15'	20'	3 lbs.	Shielded Marine Shipboard	ABS NEMA 4x, IP66 Weight: 4 lbs. Approval: UL, CSA, TUV



Clamp Size	Dimensions			Weight
	A	B	C	
.5" to 1" Pipe	2.5"	2.25"	.67"	0.16 lbs.
1.25" to 2" Pipe	4"	3.63"	.75"	0.44 lbs.

This document contains proprietary information. It may not be reproduced, copied, or made available to others without prior written consent from Flow-Tech HVAC.				Not to scale
Drawing #: FTC-200	Approved:	Revision by:	S.O. #	Rev: 1a
Date:	Checked:	Drawn:	P.O. #	Sheet 1 of 1