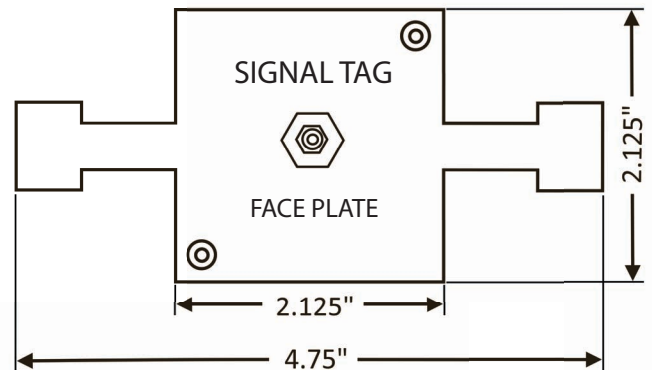
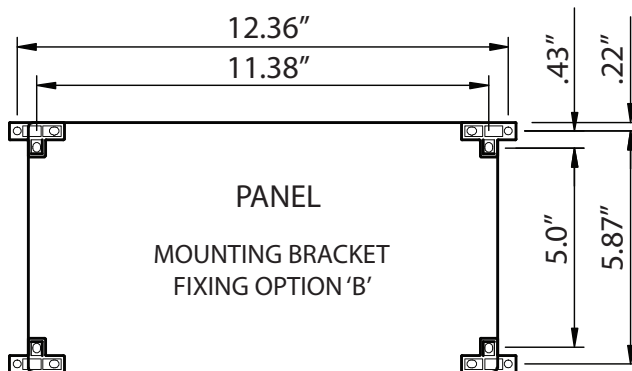
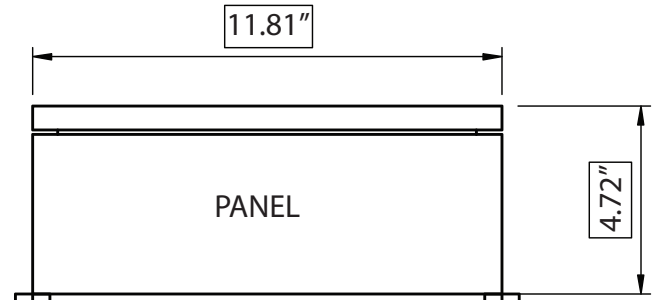
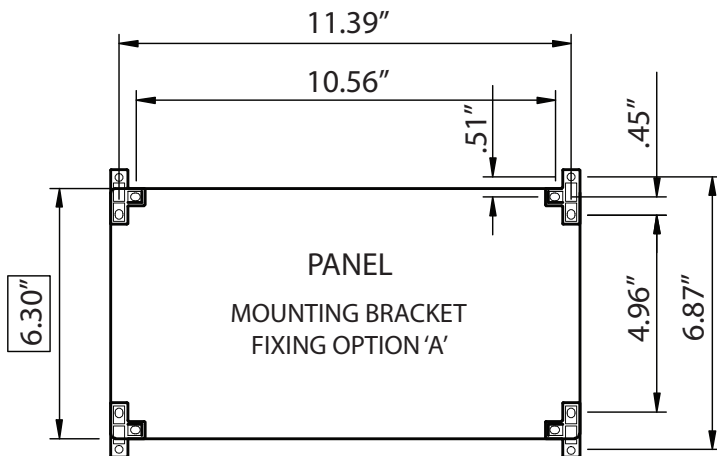


## SPECIFICATION FOR:

FTC-300  
FTC-400  
FTC-600



Model	Maximum Nominal Pipe Diameter	Power Cord	Signal Cable Length (X2)	Signal Cable Weight (X2)	Signal Cable Type	Enclosure Specifications
FTC-300	3"	15'	33'	4 lbs.	Shielded Marine Shipboard	ABS NEMA 4x, IP66
FTC-400	4"					Weight: 4 lbs.
FTC-600	6"					Approval: UL, CSA, TUV



This document contains proprietary information. It may not be reproduced, copied, or made available to others without prior written consent from Flow-Tech HVAC.				Not to scale
Drawing #: FTC-3TO600	Approved:	Revision by:	S.O. #	Rev: 1a
Date:	Checked:	Drawn:	P.O. #	Sheet 1 of 1