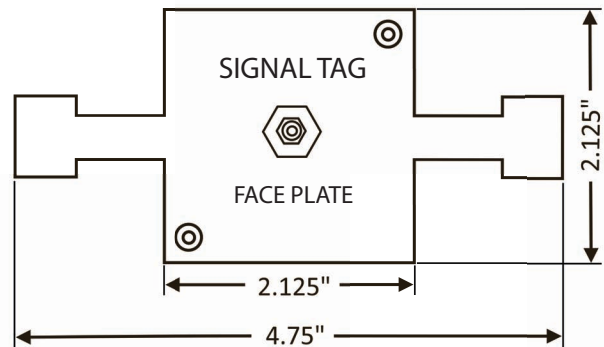
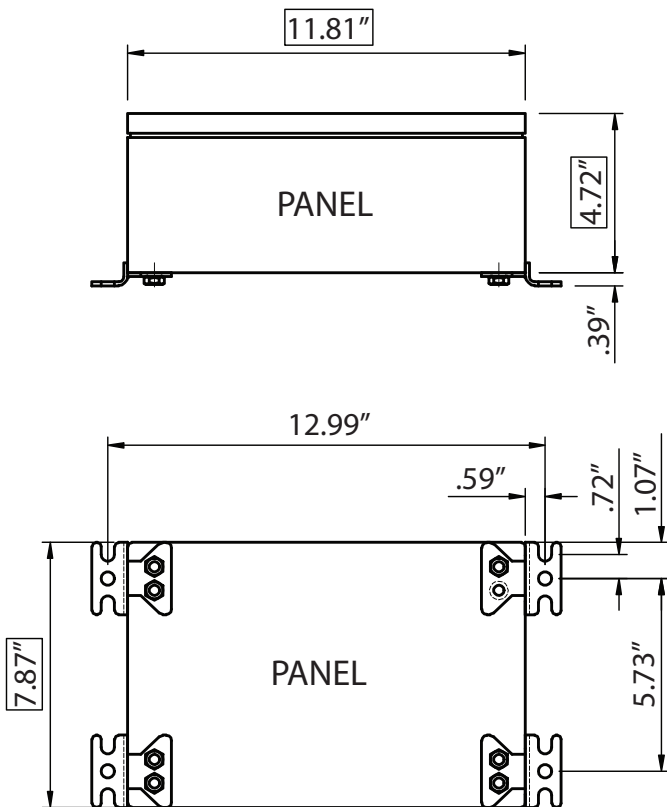




SPECIFICATION FOR:

FTC-800
FTC-1000

| Model | Maximum Nominal Pipe Diameter | Power Cord | Signal Cable Length (X2) | Signal Cable Weight (X2) | Signal Cable Type | Enclosure Specifications |
|---------------------|-------------------------------|------------|--------------------------|--------------------------|---|--|
| FTC-800 FTC-1000 | 8" 10" | 15' | 33' | 8 lbs. | Armored Shielded Marine Shipboard | Stainless Steel NEMA 4x, NEMA 12, IP66 Weight: 11 lbs. Approval: UL, CSA, TUV |



| | | | | |
|--|-----------|--------------|--------|--------------|
| This document contains proprietary information. It may not be reproduced, copied, or made available to others without prior written consent from Flow-Tech HVAC. | | | | Not to scale |
| Drawing #: FTC-20T02400 | Approved: | Revision by: | S.O. # | Rev: 1a |
| Date: | Checked: | Drawn: | P.O. # | Sheet 1 of 1 |